



PRODUCT SPECIFICATION

0655 Series LED Driver

Model NO. : MNHN2019YD-C03501-M

Description : 19W LED Driver

Prepared By	Review By	Approval By

Customer Authorized Signature
Please return to us one copy of "PRODUCT SPECIFICATION" with you approved signature.

ADD:No. 5 of Futian 10 Road, Gangkou Town, Zhongshan City, Guangdong Province, P. R. China.

TEL: 0760-28175555

P.C.: 528447

FAX: 0760-28172986

E-mail:sales@meanf.com

<http://www.meanf.com>



Change history

REV	Descriptions Of Change	Changed Date:	Notes
V1.0	Original SPEC	2022/08/03	/



FEATURES

1. Output flicker-free, meeting the standard of Flicker-free
2. Input and output without locking screw fastening design freedom
3. Compact design
4. 198-264VAC input
5. Built in active PFC function, high PF, low THD
6. Turn on delay time < 0.5s
7. Natural cooling
8. For indoor lighting only
9. 5 years warranty

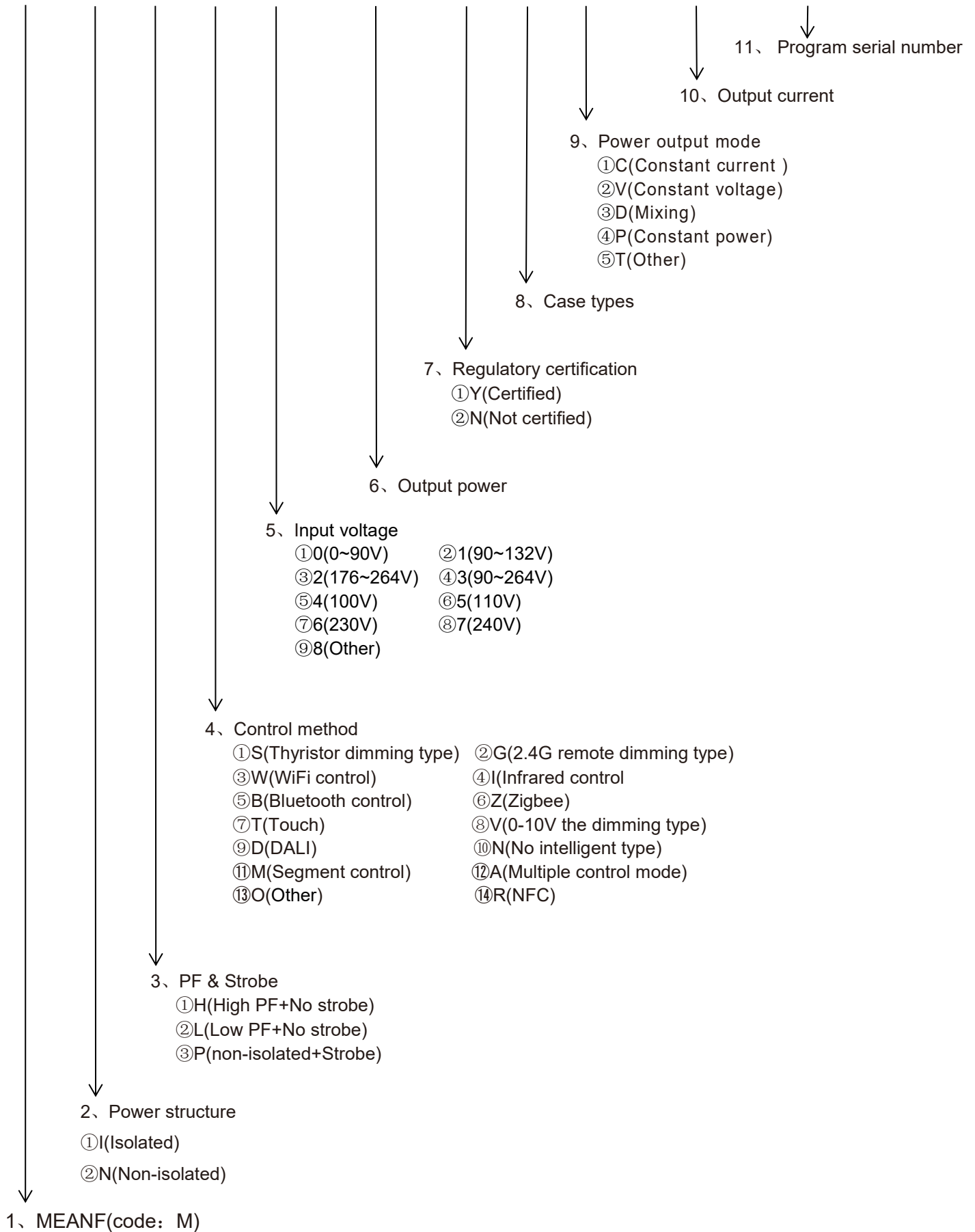
APPLICATION

1. LED indoor lighting
2. LED office lighting
3. LED architectural lighting



Power numbering principle

M-X-X-X-X-XXX-X-X-X-XXXX-X





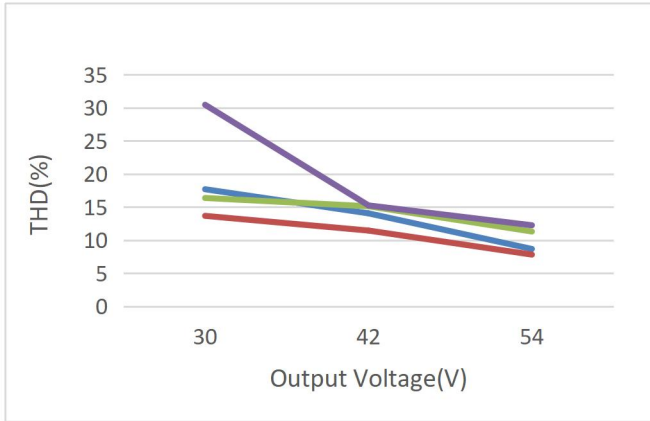
MODEL	MNHN2019YD-C03501-M		
OUTPUT			
DC current	0.15A		
DC voltage range	30-54V		
Rated power	19W Max.		
Voltage ripple & noise note.2	≤3000mV(Vpp)		
Current ripple & noise	≤52.5mA(RMS)		
Constant current ADJ. range	0.2-0.35A		
Constant current accuracy	±8%		
Line regulation	±8%		
Load regulation	±8%		
INPUT			
Rated voltage	220-240VAC		
Input voltage range	198-264VAC		
Frequency range	50-60Hz		
Power factor	PF>0.9 @ 230VAC/full load		
Total harmonic distortion	THD<15% @ 230VAC/full load		
Efficiency (Typ.)	92%		
Standby power	N/A		
Input current	<0.2A		
Inrush current(Typ.)	See data table for details		
Max. No. of PSUs on 16A circuit breaker	See data table for details		
Turn on delay	<0.5s		
PROTECTION			
Short circuit	If the output appears unusual, causes the product of anode and short sub, this product will start short circuit protection function, and not because this abnormality in product permanent damage		
Max output voltage	54V		
Over temperature	The output shall hiccup when the temperature exceed the standard value, and shall be self-recovery when the fault condition is removed		
ENVIRO-HMENT			
Operation temperature	-20-60℃		
Operation humidity	10-90% RH non-condensing		
Storage temperature/humidity	-40-70℃ 5-95% RH		
IP class	IP20		
Vibration	10 to 300Hz sweep at a constant acceleration of 1.0G(Breadth: 3.5mm) for 1Hour for each of the perpendicular axes X, Y, Z		
Tc Note.4	Tc=85℃(Ta=45℃)		
MTBF	The MTBF shall be at least 50,000hours at 25℃, Full load and nominal input condition		
LIFETIME	See life curve for details		
EMC			
EMC emission Note.3	Compliance to EN55015:2006+A1 2007,EN61000-3-2:2000,CLASS A ,EN61000-3-3:1995+A1:2001		
EMC immunity	Compliance to EN61000-4-2,3,5,8,11 EN61000-3-2,3 EN61000-6-1,3		
SAFETY			
Safety standards	EN61347-1/2-13,GB19510.1/14,EN62384		
Flicker-free standard	GB19510,IEC/EN61547,IEC61347/IEC62384,AS/NZS 4417		
Stroboscopic depth	< 5% , frequency < 100 Hz		
Certificate	CE ,ENEC ,UKCA		
Dielectric Strength	Primary to Secondary: 1750Vac 10mAMax / 60second(1second for production)		
Surge	DM 1KV (L - N) /DM 2KV (L - GND)(N - GND)		
Leakage current	0.5mAMax @ 264Vac/50HZ		
Isolation resis-tance	50MΩ min. at primary to secondary add 500Vdc test voltage		
INTERFACE			
Environmental protection	RoHS		
Input connection	PCB connector/3PIN/grey+grey/0.75-1.5mm ²		
Output connection	PCB connector/2PIN/black+red/0.5-1.5mm ²		
<p>NOTE:1.All parameter are measured at 230VAC input,rated load and 25℃ of ambient temperature. 2.Ripple & Noise are measured at 20MHz of bandwith by using a 12 "twisted pair-wire terminated with a 0.1uF & 47uF paralld capacitor. 3.The power supply is considers as a compent that wil be operated in combination with final equipment.Since EMC performance will be affected by the complete installation the final equipment manufactures must re-quality EMC directive on the complete installation again. 4.If this driver used for led lighting,the TC should not higher than TC showed on the driver when the lighting working on the highest rated working temprature.</p>			

Electrical characteristics

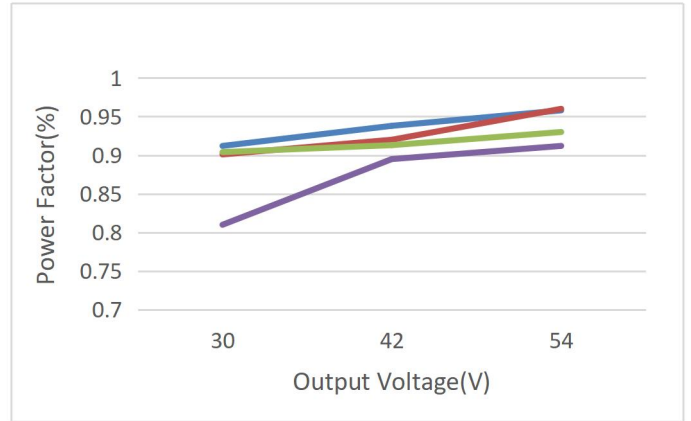


MODEL:MNHN2019YD-C03501-M Electrical characteristics(@230VAC)

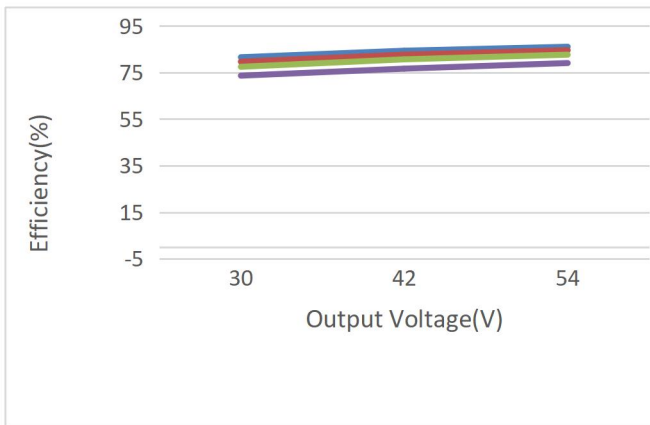
THD vs.Load



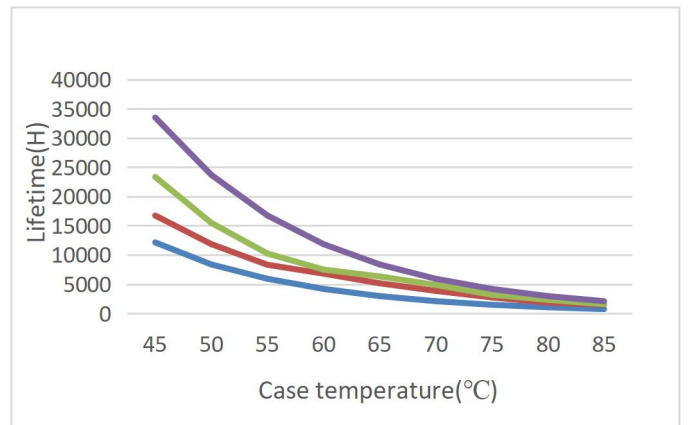
Power factor vs.Load



Efficiency vs.Load



Lifetime vs. case temperature





Surge curve

MODEL:MNHN2019YD-C03501-M

Specification item	Value	unit	Condition
Inrush current Ipeak	14.1	A	Input voltage 230V
Inrush current Twidth	50	us	Input voltage 230V,width at 50% peak

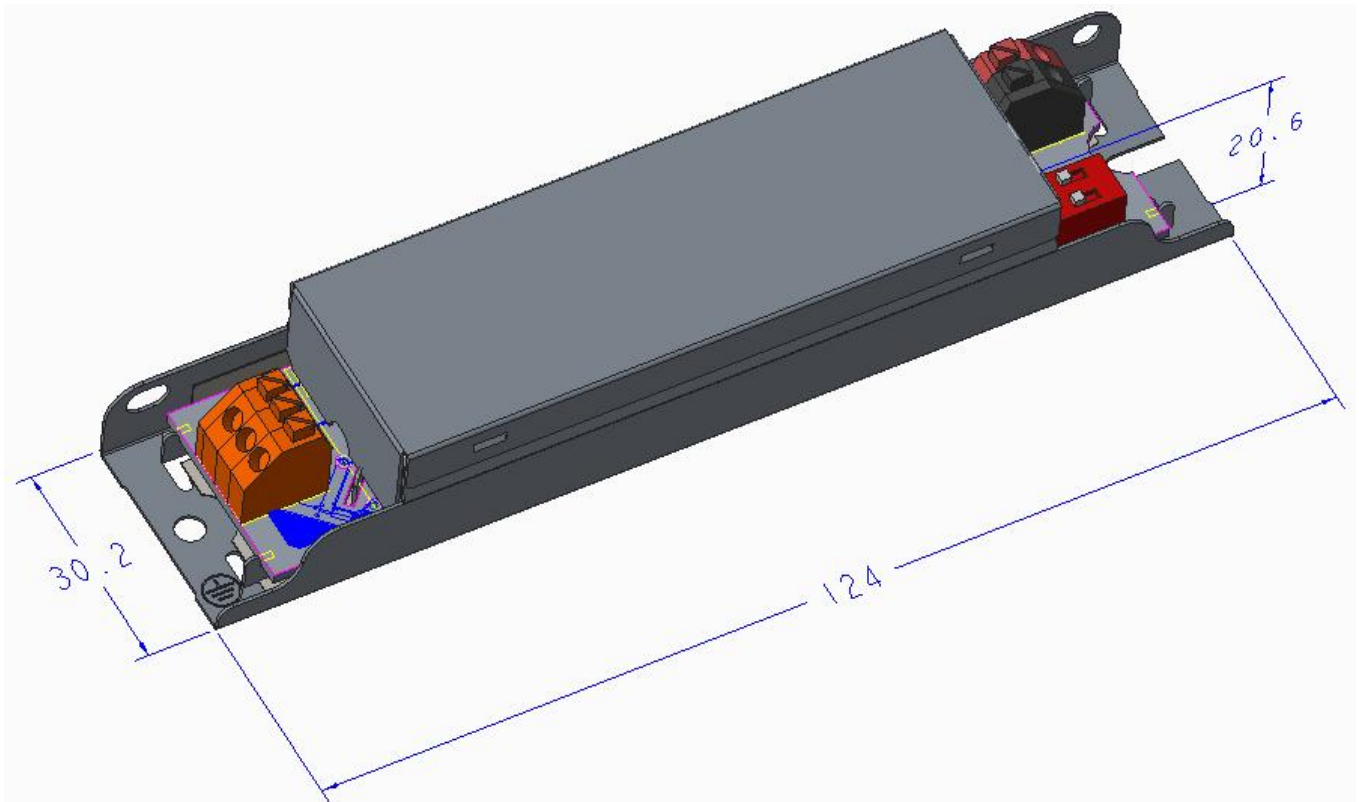
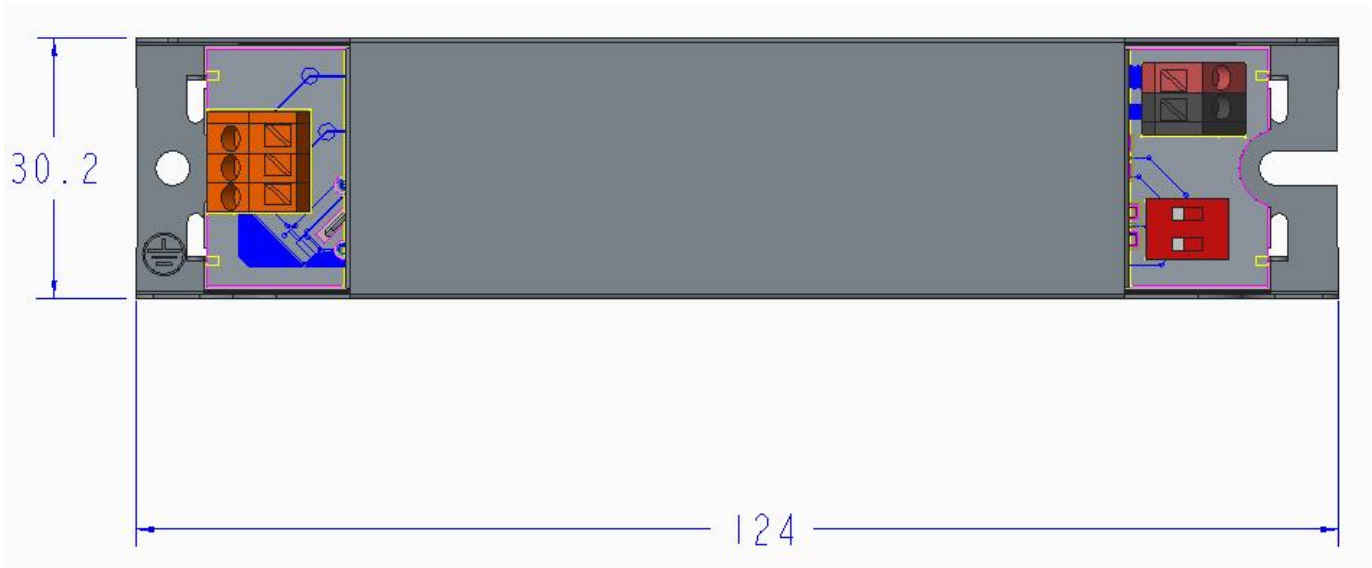
Label

MNHN2019YD-C03501-M

3	L		LED DRIVER (LED控制装置)			LED-	1
4	N					LED+	2
5		Model:MNHN2019YD-C03501-M		Irated selection			ON ↔ OFF
		Uin: 220-240V	Pout: 19W	Irated	Pin1		
		Iin: 0.13A	Uout: 30-54Vdc	0.35A	ON	ON	
		Freq: 50/60Hz	70Vdc max.	0.30A	OFF	ON	
		PF: 0.9C	Iout:0.2/0.25/0.3/0.35A	0.25A	ON	OFF	
		ta: 45°C	tc: 75°C	0.20A	OFF	OFF	
MeanFull Power Supply Technology Co., Ltd Made in China(中国制造)							



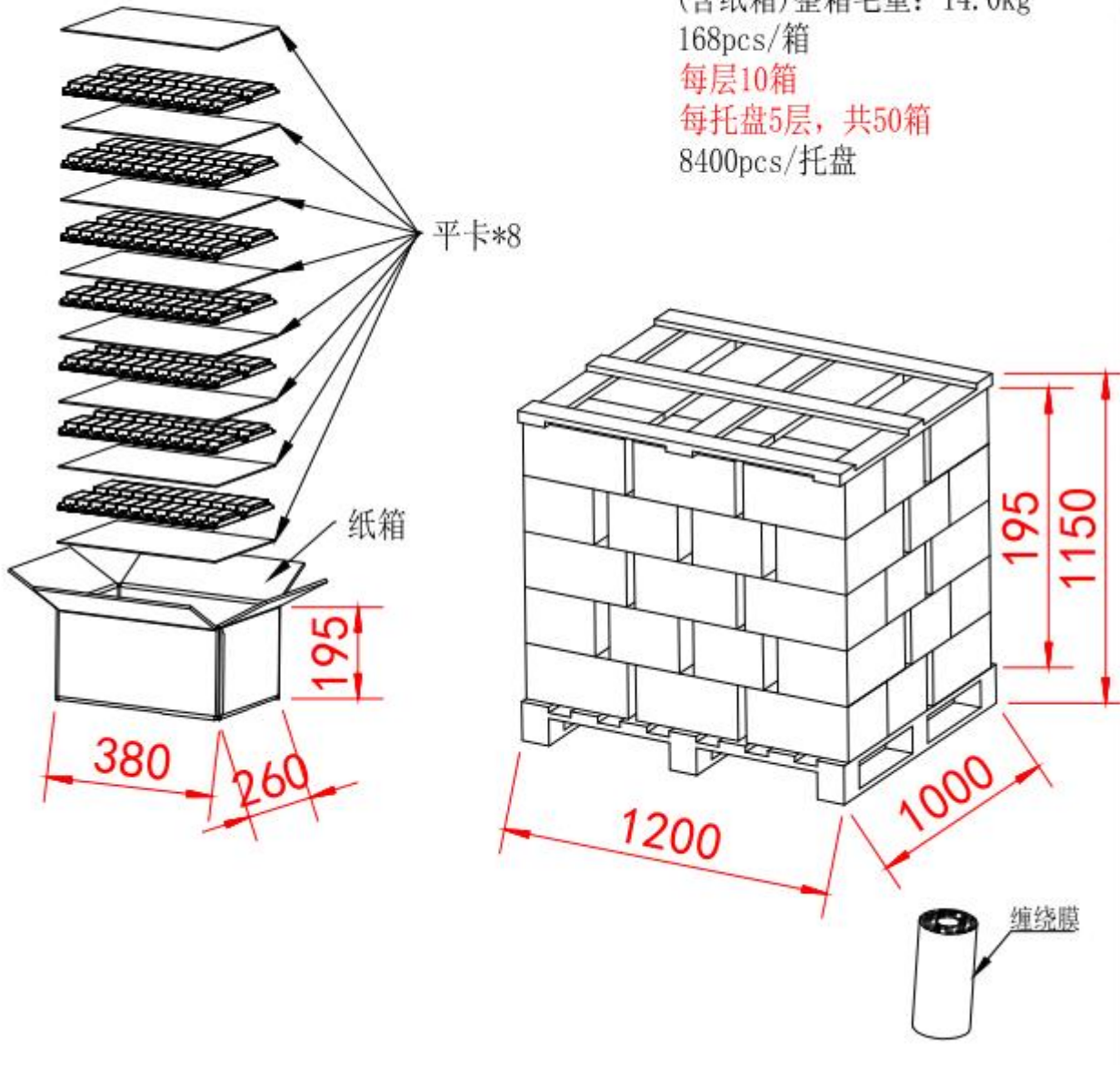
Mechanical specification (Unit:mm)





Product package (Unit:mm)

产品净重: 0.078kg,
 产品毛重: 0.0785kg
 (不含纸箱)整箱毛重: 13.485kg
 (含纸箱)整箱毛重: 14.0kg
 168pcs/箱
 每层10箱
 每托盘5层, 共50箱
 8400pcs/托盘



Model	Product size	Weight	Flat card	Carton size	Packing	N.W	G.W
0655	L124*W30.2*H20.6mm	0.078/kg	L365*W250*H2.8mm	L380*W260*H195mm	168pcs	13.485/kg	14/kg